

Types CR/BW and CR/BV Backstop Clutches



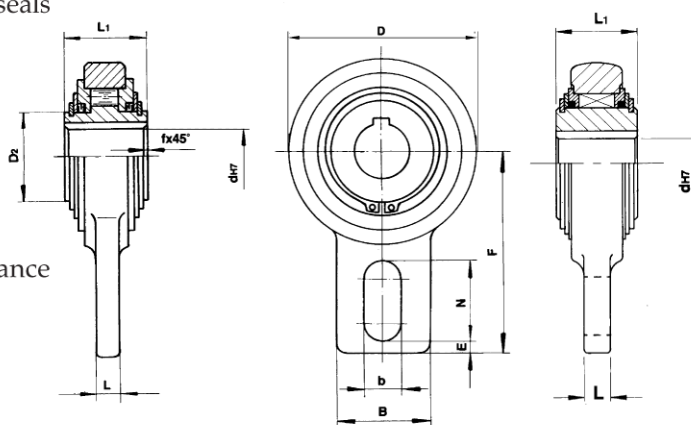
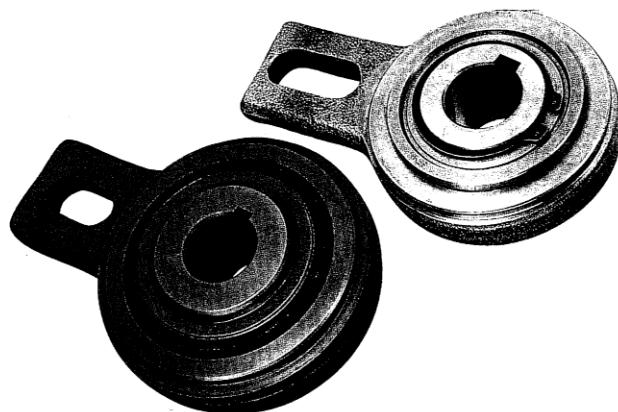
Most types of freewheels can be used for backstop applications, but these clutches have been specially designed for this application. Mainly intended for fitting on Conveyor or Elevator headshafts their design makes easy installation on new or existing units.

CR/BW and BV Series incorporate a torque arm with slot to engage with a bolt fixed to machine frame. Units are greased for life with labyrinth seals ideal for dust laden environments. Units can be mounted on horizontal or vertical shafts, and are available with bore range 20mm to 120mm with torque capacity to 18,450 Nm.

CR/BW Series uses sprags to provide a high torque capacity, at low unit cost. Bearing support is plain metal bushes with seals selected to retain grease and exclude dust and moisture.

CR/BV Series employs roller ramp principle for extended wear life and faster operating speeds. Sealing is by shield protected labyrinth seals. Can be used for slow speed indexing.

When mounting these units it is essential to ensure no axial loading occurs, and there is a minimum 0.2mm clearance around locking pin.



Dimensions

Clutch Size	Bore dH7 mm	Max. Torque Nm ⁽¹⁾	Max. Shaft Speed rpm	Dimensions mm									Approx. Weight kg	Overrun Drag Ncm
				D	D2	L1	L	B	F	b ⁽²⁾	N	E		
CR/BW20	20	750	350	106	-	35	15	40	113	18	35	10.5	2.0	100
CR/BW25	25	1210	300	106	-	48	15	40	113	18	35	10.5	2.6	130
CR/BW30	30	1210	300	106	-	48	15	40	113	18	35	10.5	2.5	130
CR/BW35	35	1210	300	106	-	48	15	40	113	18	35	10.5	2.4	130
CR/BW40	40	2390	250	132	-	52	15	60	125	18	35	10	4.6	200
CR/BW45	45	2390	250	132	-	52	15	60	125	18	35	10	4.5	200
CR/BW50	50	2390	250	132	-	52	15	60	125	18	35	10	4.4	200
CR/BW55	55	2390	250	132	-	52	15	60	125	18	35	10	4.3	200
CR/BW60	60	5100	215	161	-	54	15	70	140	18	35	10	6.5	300
CR/BW70	70	5100	215	161	-	54	15	70	140	18	35	10	6.4	300
CR/BW80	80	9700	200	190	-	70	20	70	165	25	45	15	9.9	450
CR/BW90	90	9700	200	190	-	70	20	70	165	25	45	15	9.8	450
CR/BV20	20	460	450	83	40	35	12	40	90	15	35	5	1.3	18
CR/BV25	25	460	450	83	40	35	12	40	90	15	35	5	1.3	18
CR/BV30	30	2400	320	118	60	54	15	40	110	15	35	8	3.5	130
CR/BV35	35	2400	320	118	60	54	15	40	110	15	35	8	3.4	130
CR/BV40	40	2400	320	118	60	54	15	40	110	15	35	8	3.3	130
CR/BV45	45	3600	280	155	90	54	20	80	140	18	35	10	5.5	240
CR/BV50	50	3600	280	155	90	54	20	80	140	18	35	10	5.4	240
CR/BV55	55	3600	280	155	90	54	20	80	140	18	35	10	5.3	240
CR/BV60	60	3600	280	155	90	54	20	80	140	18	35	10	5.2	240
CR/BV70	70	3600	280	155	90	54	20	80	140	18	35	10	5.0	240
CR/BV80	80	5000	200	190	105	64	20	80	155	20	40	10	8.7	360
CR/BV90	90*	11950	150	260	160	90	25	120	220	-	-	-	24.5	360
CR/BV100	100*	11950	150	260	160	90	25	120	220	-	-	-	23.5	360
CR/BV110	110*	11950	150	260	160	90	25	120	220	-	-	-	22.5	360
CR/BV120	120*	18450	130	300	180	110	30	140	260	-	-	-	42.0	600

(1) This is absolute max. torque clutch should see, including reverse load of motor stall torque due to load. For indexing, torque should be no more than 0.3x this figure.

(2) H11 tolerance CR/BW. B11 tolerance CR/BV series.

* have 2 keyways offset by 120°. All keyways to DIN 6885 Sht. 1.